

09238DA

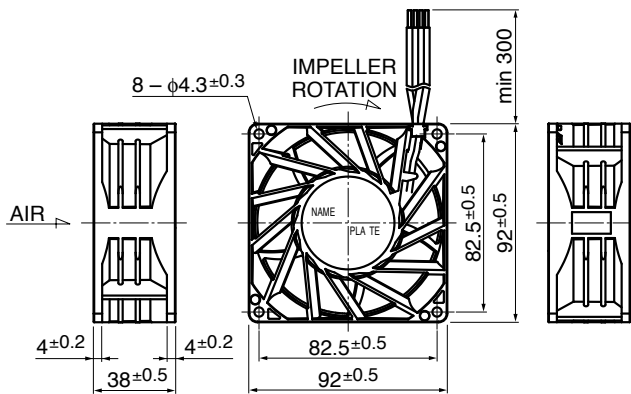
DC Axial Fan

92[□]X38^L



Reference Spec

Outline



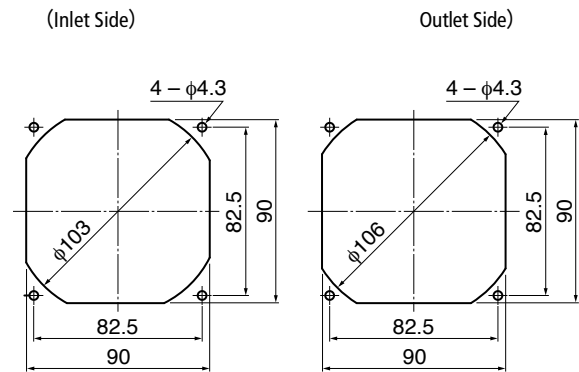
General Specifications

Motor Protection	Auto Restart / Polarity Protection
Insulation Resistance	10MΩ or over with a DC500V Megger
Dielectric Withstand Voltage	: AC700V 1s
Allowable Ambient Temperature Range	: - 10°C ~ + 60°C (Operating) - 40°C ~ + 70°C (Storage) non-condensing environment

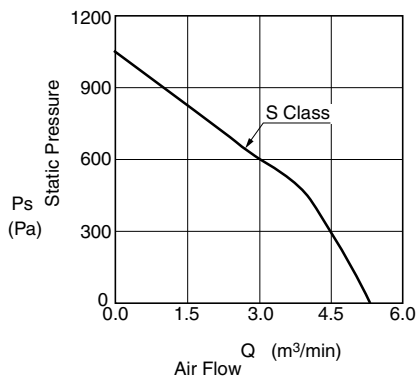
Expected Life ※ Failure Rate: 10% (L10 Life)

40°C	70,000 (Hours)	(Target Value)
60°C	40,000 (Hours)	(Target Value)

Panel Out-cuts



Characteristic Curves



Material

Casing	: Plastic (Black) UL94V-0
Impeller	: Plastic (Black) UL94V-0
Bearing	: Ball Bearing
Lead Wire	: UL3385 or UL10368 AWG20 +: Red, -: Black

Specifications

Model	Product No.	Rating Voltage	Operating Voltage	Current	Input Power	Speed	Max. Air Flow		Max. Static Pressure	Noise	Mass	
		(V)	(V)	(A)*1	(W)*1	(min ⁻¹)*1	(m ³ /min)*1	(CFM)*1	(Pa)*1	(In H ₂ O)*1	(dB)*1	(g)
09238DA-12S-E6E-	0	12	10.8 ~ 13.2	5.80	69.60	15000	5.10	180.1	1050.0	4.21	77.0	264

Rotation: Clockwise as seen from the label side
Airflow Outlet: Label side

*1: Average Values in Free Air

This information is reference spec, so final spec may change.